

FEATURES

- Compact design
- Migrated pressure chambers
- Static pressure up to 200 bar

APPLICATIONS

- Filtration plants
- Water applications
- Duct & room pressure
- Pumps & Compressors
- Clean room applications

Piston Operated



STANDARD PARAMETERS

Accuracy	: 4% FS
Ambient temperature	: -20...+65°C
Service temperature	: 100°C max
Pressure limits	: Steady pressure and over pressure up to FS value from LO to HI side
Static pressure	: 100 bar (Optional: 800 bar)

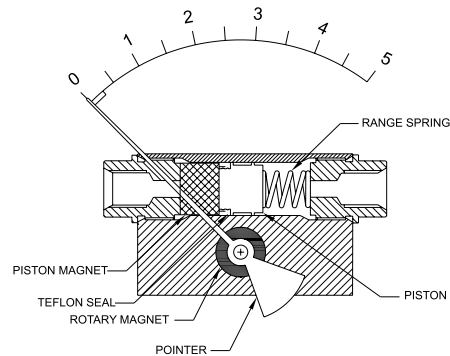
MATERIAL OF CONSTRUCTION

Sensing element	: Piston
Case	: Aluminum die casting - Black
Welded parts	: AISI 316 SS, Teflon, Ceramic Magnet & SS spring
Dial	: Aluminum, black graduation on white background
Pointer	: Fix, aluminum, black powder coated
Window	: Polycarbonate (fitted incase)

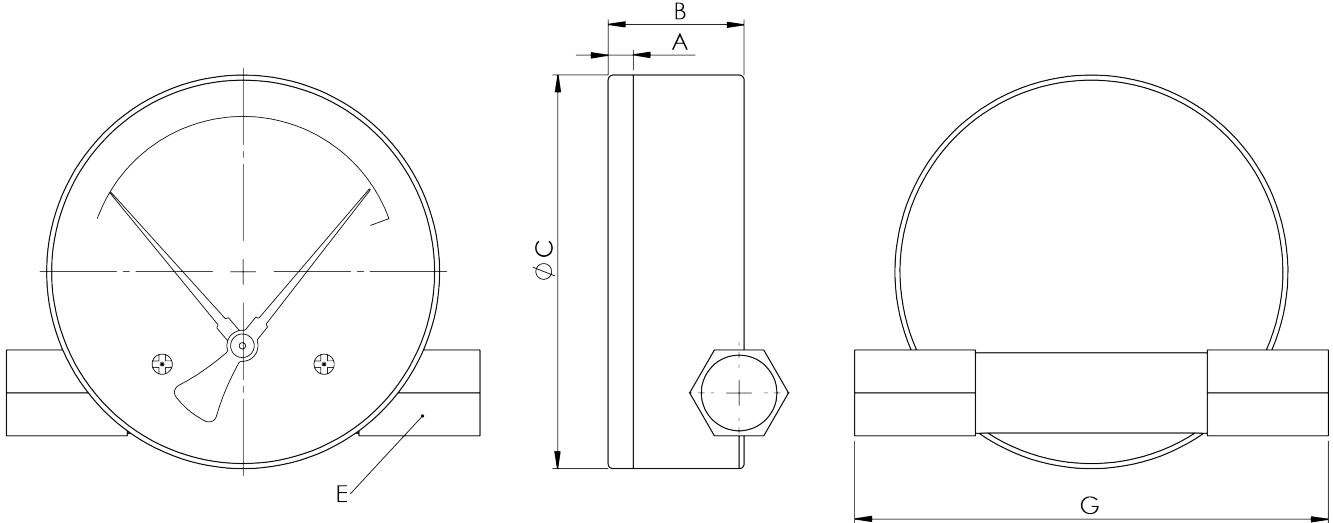
STANDARD SPECIFICATIONS

Dial size	: DN63 / DN80 / DN100 / DN160
Range	: 0...400 mbar to 0...10 bar
Mounting pattern / porting	: Direct, In-line connection
Process connection	: 1/4" NPT (F) x 2 Nos
Ingress protection	: IP 54
Execution	: Dry

WORKING PRINCIPLE

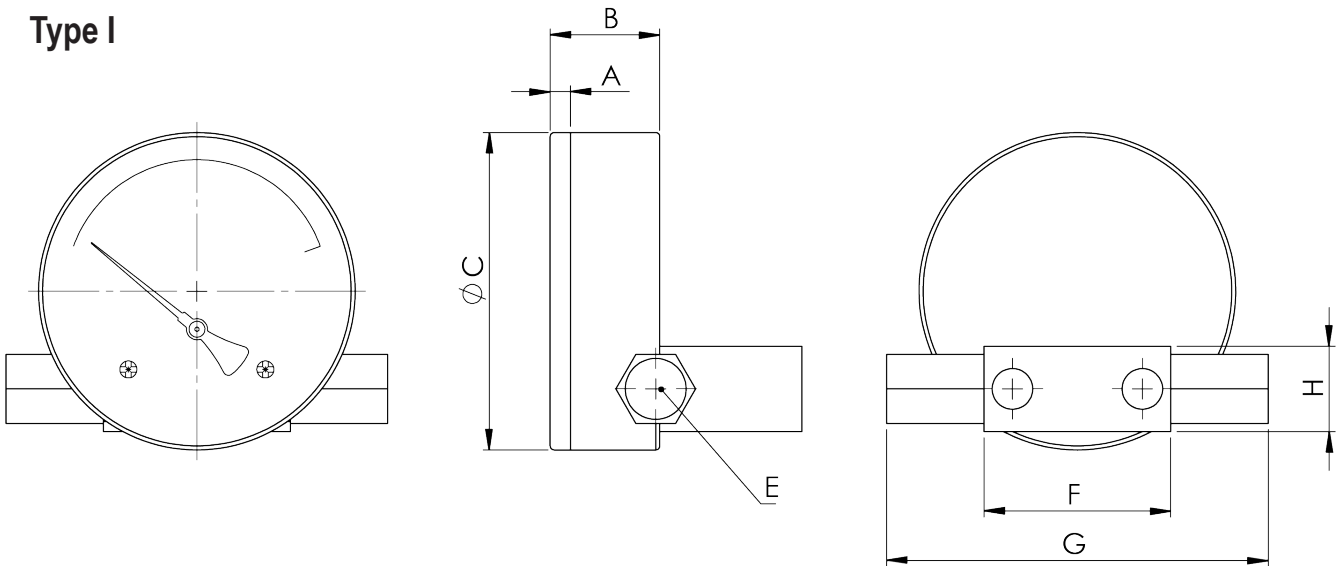


Type I

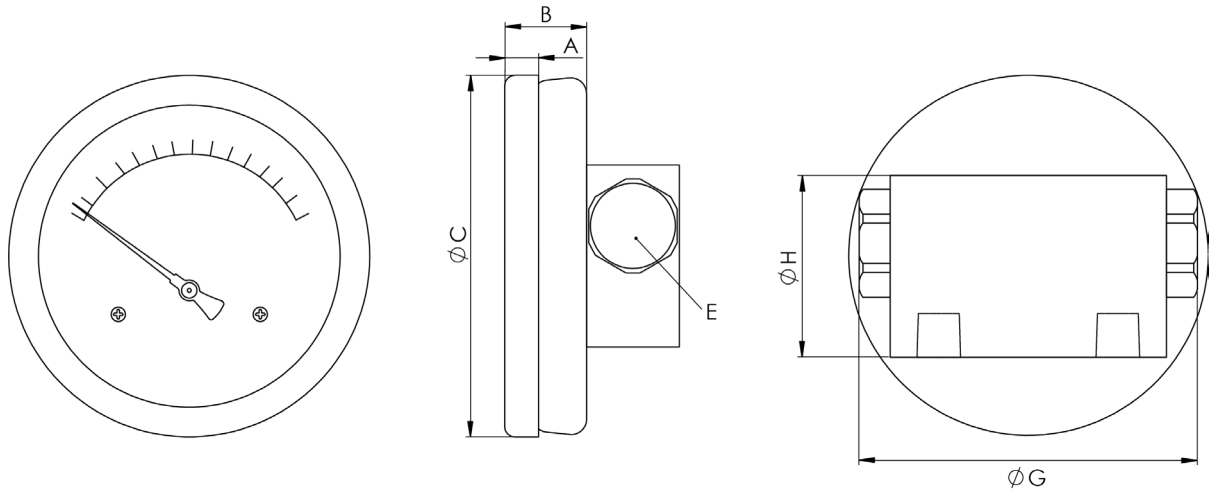


DN	A	B	C	E	G	Weight
80	4	22	78	SW17	94	~230 g

Type I



DN	A	B	C	E	G	F	H	Weight
100	14	15	156	SW22	125	86	25	~383 g
160	14	27	157	SW22	111	86	25	-



DN	A	B	C	E	G	H	Weight
100	16.5	29.5	100	SW24	94	50	~926 g

ORDERING CODES

1. DIAL SIZE

03	63 mm / 2½"	
04	80 mm / 3"	04
05	100 mm / 4"	
07	160 mm / 6"	

2. RANGE

XXX	Refer "Range Table"	XXX
-----	---------------------	-----

3. MOUNTING PATTERN / PORTING

A	Direct, Bottom connection	
I	In-line connection	I
J	Centre, Back connection	

4. PROCESS CONNECTION

02B	¼" BSP (F) X 2 Nos.	
02N	¼" NPT (F) X 2 Nos.	02N
Other thread size and standards available on request		

5. INGRESS PROTECTION

EV	IP 54	EV
----	-------	----

Ordering Example : PG13-DPG-04-XXX-I-02N-EV-EA-TA

NOTES

- Case size is 150mm (D), Case+Ring=160mm (C)
- For other connections, please contact factory.

6. EXECUTION

EA	Dry	EA
EG	Glycerine oil	
EH	Silicon oil	

7. OTHER OPTIONS

TA	Calibration certificate	TA
XG	SS tag plate, AISI 316 SS	
XF	SS tag plate, AISI 304 SS	
XR	Custom designed dial	
XT	Dial tag marking	
GW	Maximum Reading pointer	
B7	With 3-Hole front panel	
SU	Static pressure : 200 bar	

STANDARD RANGES

RANGE	"bar"	"kg/cm ² "	"bar / psi"	RANGE	"psi"	RANGE	"kPa"	RANGE	"MPa"
0...0.6	B01	K01	N01	0...10	S01	0...60	E01	-	-
0...1	B02	K02	N02	0...15	S02	0...100	E02	0...0.1	M02
0...1.6	B03	K03	N03	0...25	S03	0...160	E03	0...0.16	M03
0...2.5	B05	K05	N05	0...35	S05	0...250	E05	0...0.25	M05
0...4	B06	K06	N06	0...60	S06	0...400	E06	0...0.4	M06
0...6	B07	K07	N07	0...100	S07	0...600	E07	0...0.6	M07
0...10	B09	K09	N09	0...150	S09	0...1000	E09	0...1	M09

RANGE	"mbar"	RANGE	"kg/cm ² "	RANGE	"psi"	RANGE	"mmH ₂ O"
0...400	F17	0...0.4	K69	0...6.0	S59	0...4000	H09
0...600	F19	0...0.6	K01	0...10	S01	0...6000	H10

NOTES

1. Other scales & measurement units are available.
2. Equivalent scales available in kg/cm², psi, kPa, MPa, bar/psi, kPa/bar, kPa/psi or any other special scales.
3. Primary scales shall be in "BLACK" and secondary scales shall be "RED".
4. Special scales, custom dial design, OEM/private logo printing is available, details contact our marketing team.