

FEATURES

- Internal diaphragm
- Threaded design

APPLICATIONS

- Chemical seal to combine with pressure bourdon tube pressure gauges or transmitters.
- Suitable for corrosive, contaminated, hot or viscous pressure media in chemical process industry and petrochemical industry.

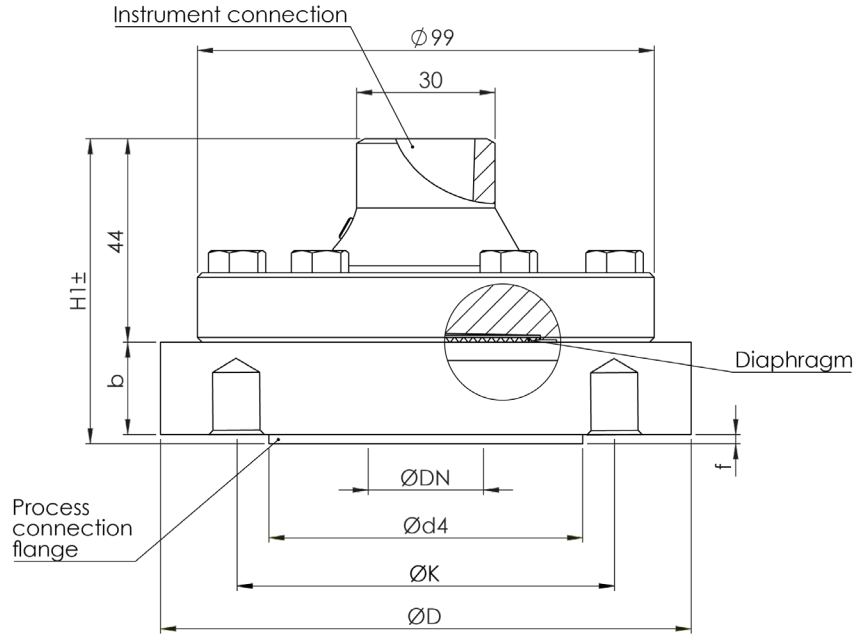
Flanged type



STANDARD SPECIFICATIONS

Range type	: 0...0.6 bar to 0...250 bar
Upper body	: AISI 316 SS
Diaphragm	: AISI 316L SS
Lower body	: AISI 316 / 316L
Process connection	: Flanged - AISI 316/316L
Pressure rating	: PN 10 to 250 (Class 150 to 2500)
Instrument connection	: ½" BSP(F) or ½" NPT(F)
Diaphragm	: AISI 316L welded with upper housing dM 59 mm
Filling fluid	: Silicon oil
Sealing ring	: PTFE 250°C max

DIMENSIONAL DRAWING



All dimensions are in mm.

Connection per EN 1092-1 form B1

DN	PN	D	K	d_4	b	f	H	G1
15	10/40	95	65	45	30	2	51	4 x M12
15	63/100	105	75	45	30	2	51	4 x M12
15	160	105	75	45	30	2	51	4 x M12
15	250	130	90	45	27	2	51	4 x M16
20	10/40	105	75	58	30	2	51	4 x M12
25	10/40	115	85	68	27	2	51	4 x M12
25	63/100	140	100	65	27	2	51	4 x M16
25	160	140	100	65	27	2	51	4 x M16
25	250	150	105	65	27	2	51	4 x M20
40	10/40	150	110	88	27	3	52	4 x M16
50	10/40	165	125	102	27	3	52	4 x M16

Connection per EN 1092-1 form B1

DN	PN	D	K	d_4	b	f	H	G1
1/2"	150	95	60.5	35	30	2	51	4 x 1/2"UNC
1/2"	300	95	66.5	35	30	2	51	4 x 1/2"UNC
1/2"	600	95	66.5	35	35	7	56	4 x 1/2"UNC
1/2"	1500	120	82.5	35	40	7	66	4 x 3/4"UNC
3/4"	150	100	70	43	30	2	51	4 x 1/2"UNC
3/4"	300	120	82.5	43	30	2	51	4 x 5/8"UNC
3/4"	600	120	82.5	43	35	7	51	4 x 5/8"UNC
3/4"	1500	130	89	43	40	7	51	4 x 3/4"UNC
1"	150	110	79.5	51	30	2	51	4 x 1/2"UNC
1"	300	125	89	51	30	2	51	4 x 5/8"UNC
1"	600	125	89	51	35	7	51	4 x 5/8"UNC
1"	1500	150	101.5	51	40	7	60	4 x 7/8"UNC
1.5"	150	127	98.5	73	27	2	51	4 x 1/2"UNC
1.5"	300	155	114.3	73	27	2	51	4 x 3/4"UNC
2"	150	152	120.7	92	27	2	51	4 x 5/8"UNC
2"	300	165	127	92	27	2	51	8 x 5/8"UNC

ORDERING CODES

1. RANGE TYPE

Z45	0...0.6 bar to 0...250 bar	Z45
-----	----------------------------	-----

8. PROCESS CONNECTION

XXX	Refer Flange Table for the codes	XXX
-----	----------------------------------	-----

2. TOP CHAMBER MATERIAL

MC	AISI 304 SS	MC
MG	AISI 316L SS	
MF	AISI 316 SS	

9. PROTECTION ON WETTED PARTS

PD	PTFE protection on bottom chamber	PD
PC	PTFE protection on diaphragm	

3. DIAPHRAGM MATERIAL

MG	AISI 316L SS	MQ	Inconel 600	MG
MO	Hastelloy C-276	MW	Tantalum	
MV	Titanium			
MM	Monel			

10. ASSEMBLY

DR	Direct	RE	Remote	DR
----	--------	----	--------	----

11. CAPILLARY

MC	AISI 304 SS	MF	AISI 316 SS	MC
----	-------------	----	-------------	----

4. GASKETS

ME	PTFE	ME
ML	Metal	

12. ARMOUR

MC	AISI 304 SS	MF	AISI 316 SS	MC
MP	PVC (Ambient max. 60°C)			

5. BOTTOM CHAMBER MATERIAL

MC	AISI 304 SS	MC
MG	AISI 316L SS	
MO	Hastelloy C-276	
MF	AISI 316 SS	
MM	Monel	

13. REMOTE MOUNTING LENGTH

XXXX	1000 mm up to 10000 mm	XXXX
------	------------------------	------

13.

HL	Helium leak test	
TC	Material test certificate	TC

6. INSTRUMENT CONNECTION

04B	1/2" BSP (F)	04B
04N	1/2" NPT (F)	

7. SEALING FLUID

OA	Silicon oil	OA
----	-------------	----

Ordering Example : USF-Z45-MC-MG-ME-MC-04B-OA-XXX-PD-DR-MC-MC-XXXX-TC

Flange Table

ANSI B 16.5

Code	Size	Rating	Code	Size	Rating	Code	Size	Rating
A01	½"	150#	A02	½"	300#	A03	½"	600#
A04	½"	900#	A05	½"	1500#	A06	½"	2500#
A07	¾"	150#	A08	¾"	300#	A09	¾"	600#
A10	¾"	900#	A11	¾"	1500#	A12	¾"	2500#
A13	1"	150#	A14	1"	300#	A15	1"	600#
A16	1"	900#	A17	1"	1500#	A18	1"	2500#
A19	1¼"	150#	A20	1¼"	300#	A21	1¼"	600#
A22	1¼"	900#	A23	1¼"	1500#	A24	1¼"	2500#
A25A	1½"	150#	A26	1½"	300#	A27	1½"	600#
A28	1½"	900#	A29	1½"	1500#	A30	1½"	2500#
A31	2"	150#	A32	2"	300#	A33	2"	600#
A34	2"	900#	A35	2"	1500#	A36	2"	2500#
A37	2½"	150#	A38	2½"	300#	A39	2½"	600#
A40	2½"	900#	A41	2½"	1500#	A42	2½"	2500#
A43	3"	150#	A44	3"	300#	A45	3"	600#
A46	3"	900#	A47	3"	1500#	A48	3"	2500#
A49	4"	150#	A50	4"	300#	A51	4"	600#
A52	4"	900#	A53	4"	1500#	A54	4"	2500#