



B8

SANGAN model B8 is block and bleed needle valve specially designed for applications requiring bleeding or venting of the media. These types of needle valves are available with a variety of seat and seal materials. The valves are tested under pressure in the factory. This valve is available with a standard HS stem with a conical tip to ensure perfect alignment for a bubble tight shut-off

block and bleed needle valve

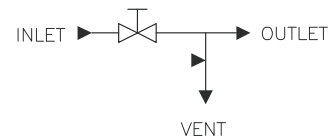
technical specification model

moc AISI316	inlet 1/2" NPT-F	outlet 1/2"NPT-f	vent 5/16" x 24unf stem
venting bonnet -	isolating bonnet top side	stem HS	packing PTFE
pressure 413 (6000) bar (psi)	temperature 240°C	bracket holes -	

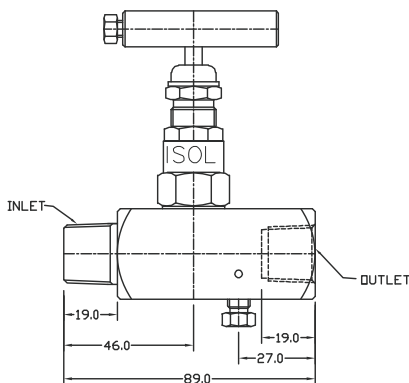
design information

- self aligning metal seats
- compact design
- non-rotating spindle tip
- metal seal between body and bonnet
- bonnet locking pins
- safety back seating T-bar
- full traceability of all materials
- 100% pressure tested

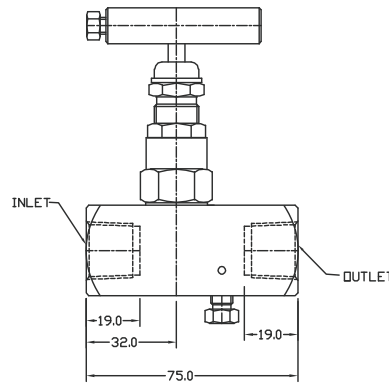
flow diagram



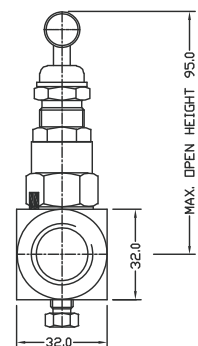
dimensional drawings



B8MF-front



B8FF-front



B8-side

B8 - additional information

options and special execution at extra cost

moc	carbon steel, AISI316L, AISI304, Monel, Hastelloy
inlet	other sizes on request
outlet	other sizes on request
stem	SO
gland packing	PTFE glass filled, graphoil
pressure	up to 700 bar (10.000 psi)
temperature	up to 550°C
handle	with anti tamper facility with removable T-bar key
plugs	hexagon blind plugs
support	for brackets see bracket datasheet
certificates	material, test and NACE certificates
cleaning	for oxygen service

design information

pressure table metal seal HS type

