

FEATURES

- High structural strength
- Easy Access to Instrument
- Corrosion Resistant
- Customizable
- For mounting different instrumentation products like transmitters, gauges, switches and other control

APPLICATIONS

Protection of instrument against:

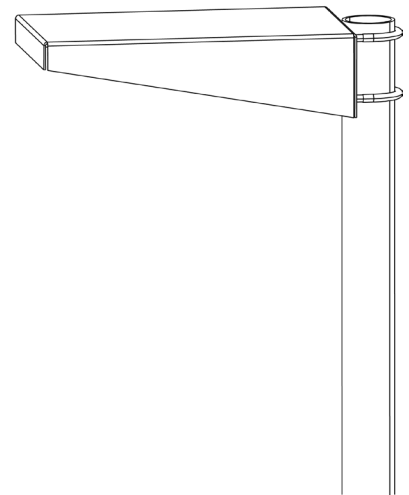
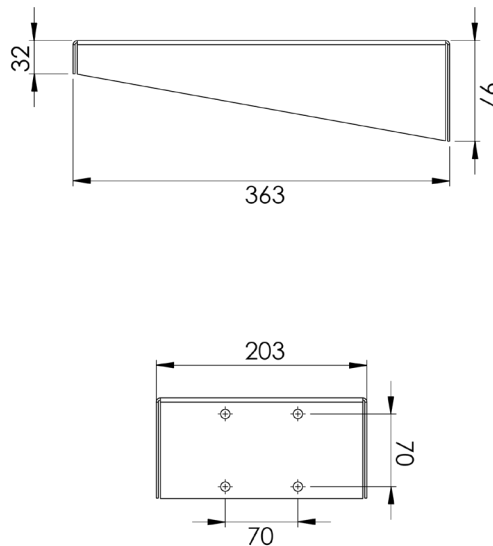
- Sun light (overheating)
- Dirt accumulation
- Exposure to atmospheric conditions
- Mechanical damage



STANDARD SPECIFICATIONS

External dimension (mm)	: 363 (width) x 203 (depth) x 97 (height)
Minimum thickness	: 2 mm
Material	: Carbon steel / Stainless steel
Mounting	: 2" Pipe/Yoke mounting or wall mounting
Color	: Light grey
Weight	: ~1.753 g

DIMENSIONAL DRAWING



All dimensions are in mm.