

FEATURES

- Suitable for liquid, gas, and steam flow measurement
- Optimum solution for measuring the flow of steam
- Zero maintenance
- Less straight lengths requirement
- Robust design
- Reliable operation
- Smooth profile

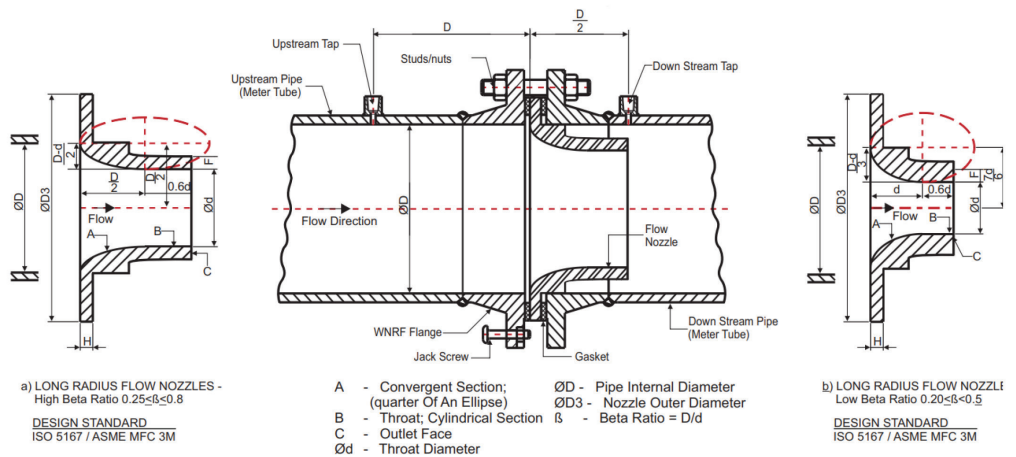


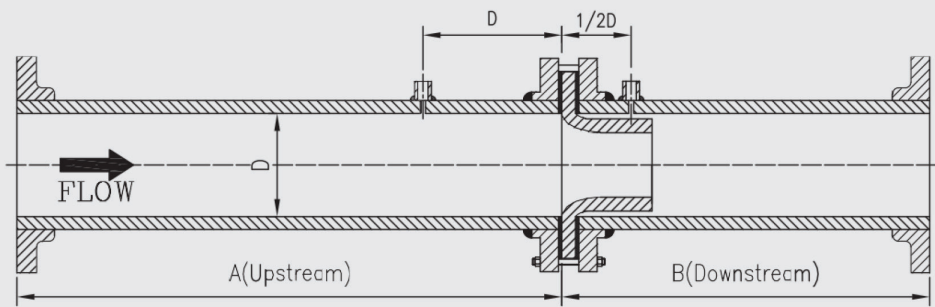
PRODUCT OVERVIEW

Flow nozzle is a differential pressure type flow measurement device which is used for measuring high velocity flow, such as high pressure steam. It can also be used with other fluids such as water, air, or other gases.

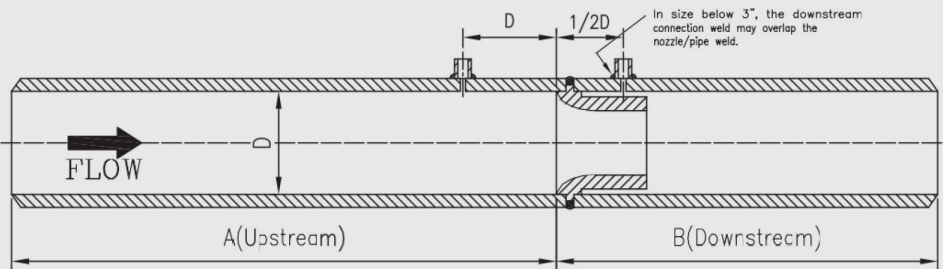
The special profile of this device provides a smooth passage to the fluid which leads to low pressure drop. The rounded profile is particularly useful when the fluid to be measured contains particles which may damage the edges of the flow element.

DIMENSIONAL DRAWING

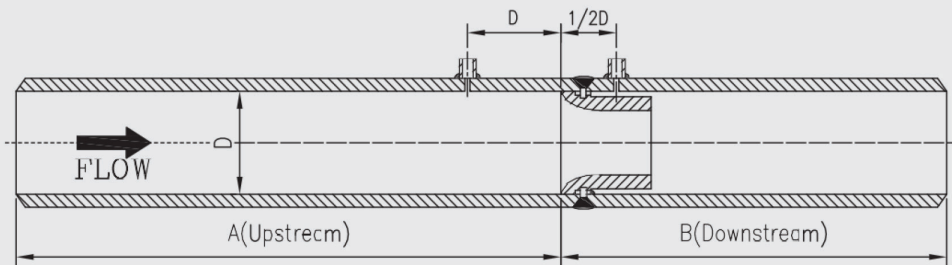




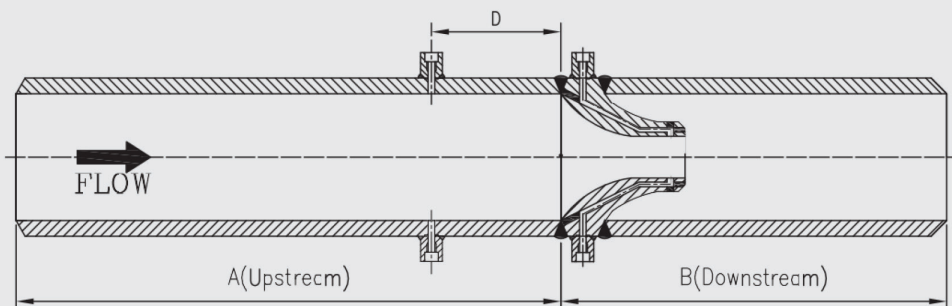
– Flange type –



– Weld in type –



– Holding ring type –



– Throat tap type –