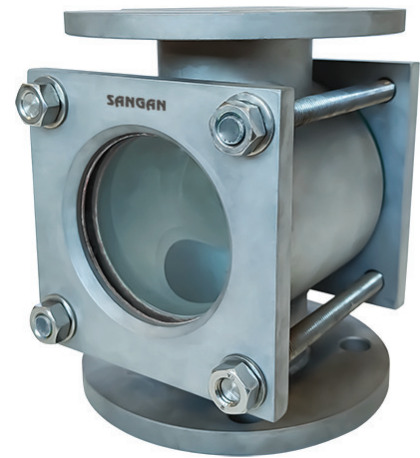


## FEATURES

- Easy maintenance
- Available in almost all material of construction
- Manufactured to the highest standard
- Durable construction
- Large view area
- Tailor made dimensions
- Use in vacuum and pressure applications
- Easy to replace glass without dismantling the whole Sight Glass assembly from the process line



### PRODUCT OVERVIEW

Model FL80 sight flow indicators are designed for process observation in piping systems. They are widely used in the general processing industry for viewing presence of flow, solids, color, or turbidity.

### TECHNICAL SPECIFICATION

Body material	: Carbon steel, stainless steel and chemical resistant materials
Lens material	: Tempered borosilicate glass
Working pressure	: Up to 25 bar

### OPERATING CONDITIONS

Standard units are designed for full vacuum and pressure ratings as shown in the table above. Temperature rating is 180°C, but may be less based on gasket material selection.

### OPTIONS AND ACCESSORIES

Plain style (Without flap) - maximizes visibility.

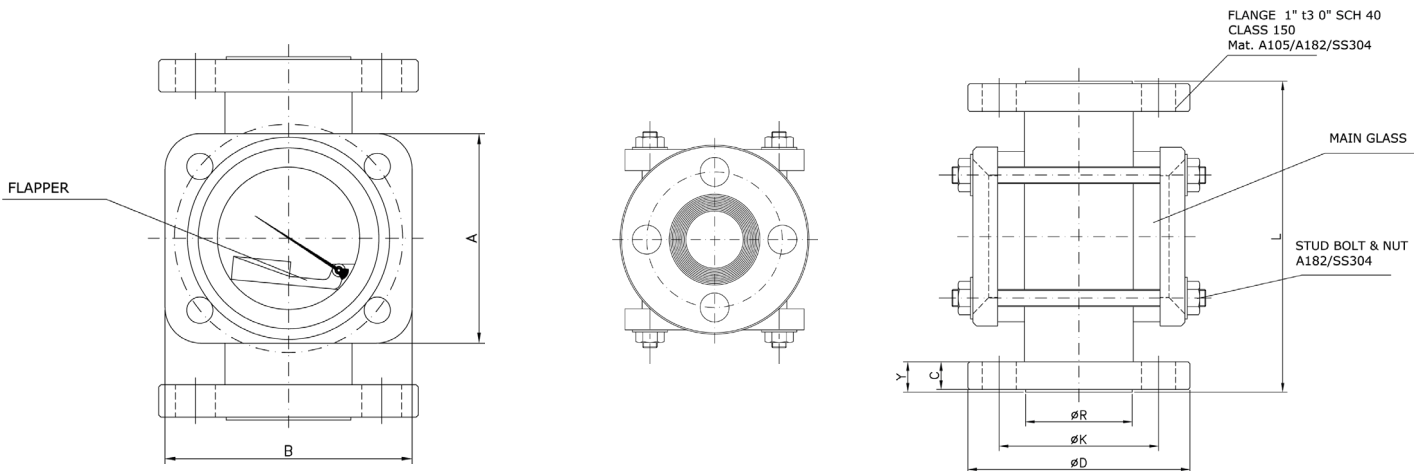
Flapper style - hinged for flow indication of clear fluids. May help determine approximate flow rate.

### DESIGN STANDARD

Design & testing as per Mfg. standard

Flange drilling as per ANSI B 16.5 / BS 10 Table / DIN Std

### DIMENSIONAL DRAWING



### ORDERING CODES

#### 1. SIZE

005	1/2"	005
007	3/4"	
010	1"	
015	1.5"	
020	2"	
030	3"	
040	4"	
060	6"	
080	8"	
100	10"	

#### 2. INDICATOR

P	Plain	P
F	Flapper	

#### 3. SEAL GASKET

01	Viton	01
02	PTFE	
03	Rubber	
04	Silicon	
05	Others	

#### 4. COVER

A	CS	A
B	SS	

#### 5. BODY

A	CS	0
B	SS	

#### 6. CONFIGURATION

00	Standard	00
01	Special	

#### 7. LENS

A	Tempered Borosilicate	00
E	Acrylic	

#### 8. OTHER OPTIONS

FJ	Fully Jacketed Double Window Sight Glass	FJ
SF	Special Face to Face Dimension	
TC	Material Test Certificate	
PT	Pressure Test Certificate	
BL	Big Large Size of Sight Glass Flow Indicator	

Ordering Example : FL80-005-P-01-A-0-00-00-FJ