

### FEATURES

- Welded 316 stainless steel sensor or flanged sensor
- Completely sealed enclosure
- 1 or 2 SPDT switches and hermetically sealed switch
- Adjustable working range
- Terminal modular wiring



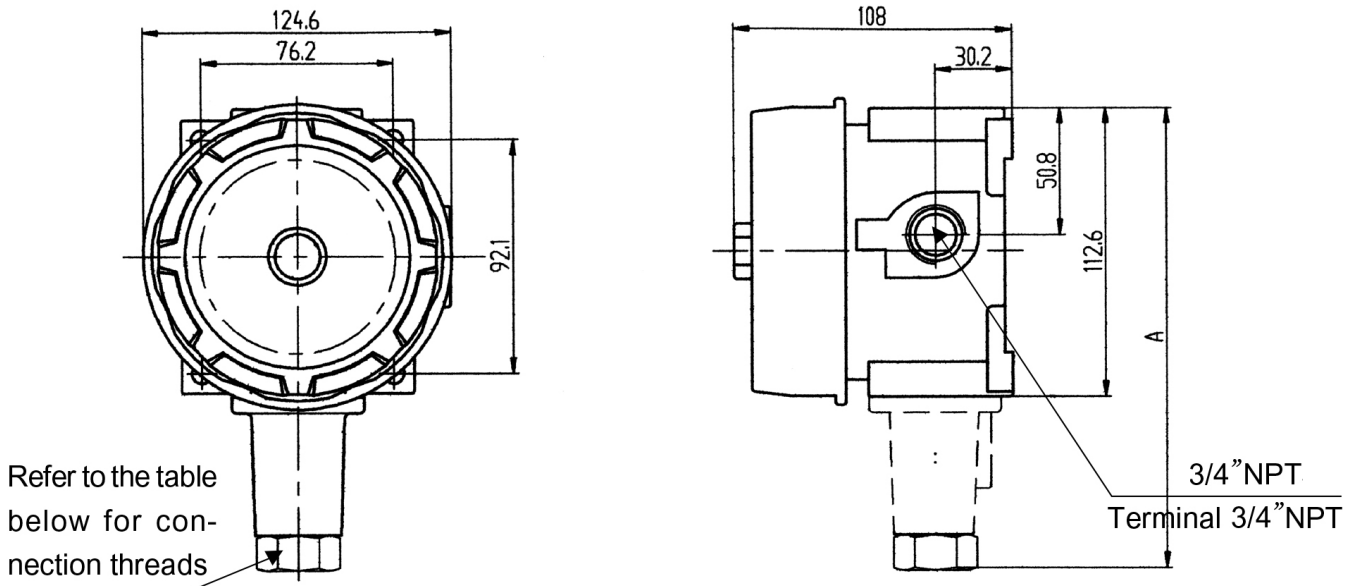
### PRODUCT OVERVIEW

PS16 Series features a variety of switch types, specifications, working ranges, pressure sensors and wetted materials. Available welded diaphragm sensor and bellows sensors. Various types of microswitch. Optional 1 or 2 SPDT switches and hermetically sealed switch. Typical applications include petrochemical plants, refineries, oil pipelines, and where dust, explosive or high explosive atmospheres exist.

### STANDARD SPECIFICATIONS

Working temperature	: -50...80°C
Set-point error	: ± 1% of range, ±1.5%
Enclosure	: Die cast aluminum, epoxy coated
Switch output	: 1 or 2 SPDT switches output, wired either Normal-Open or Normal-Closed 1 or 2 DPDT switches output, wired either Normal-Open or Normal-Closed
Electrical rating	: 15A 125/250/480 VAC resistive
Weight	: 1.6 KG approx, depending on models
Electrical connection	: 3/4" NPTF (Sealing media of the same explosion-proof rating is required)
Pressure connection	: Refer to pressure sensor diagram
Vibration-proof	: 2.5G, 5 — 500Hz
Enclosure protection	: IP65

### DIMENSIONAL DRAWING



All dimensions are in mm.

Range	A	Thread
01...04	217.4	1/2" NPT
41...45	150.9	1/2" NPT
61...65	193.8	1/2" NPT
21...25	214.3	1/2" NPT
81...84	208	1/4" NPT
85...88	185.9	1/2" NPT
89...90	185.9	1/2" NPT
26	196	1/2" NPT