

FEATURES

- 150mm diameter, 304SS shell
- 5 digits display, main & sub-screen dual screen design
- 10 units are available: Mpa/ kPa/ psi/ bar/ Pa/ mbar/ mmHg/ mH2O/ Torr/ kgf/ cm
- Low power design, 3 AA batteries and can lasts up to 3600 hours
- Product certificate: CE, Explosion Certificate Exib IICT4

APPLICATIONS

- Mechanical electronics industry
- Pressure Laboratory
- Replace the pointer precision pressure gauge and can be used as a standard pressure gauge for verifying pressure transmitters & ordinary pressure gauges
- Supporting equipment of instrument
- Construction mech automation

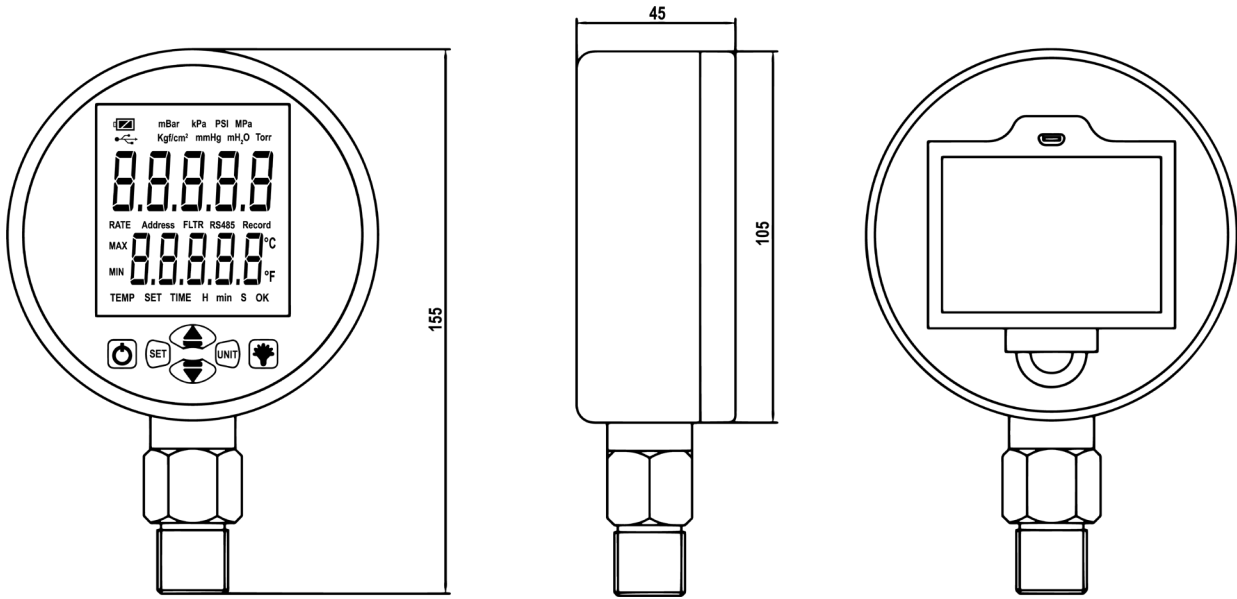


PRODUCT OVERVIEW

This high-precision digital pressure gauge adopts a 55x55mm large-size LCD screen. It uses a crossover display of the main screen and the sub-screen. It can display the real-time pressure and simultaneously display the reference data such as the on-site temperature and pressure maximum/minimum. The product is powerful, preset 10 pressure units, adjustable pressure sampling rate, battery power display, the product is equipped with USB external power supply and battery dual power supply mode. This product is powered by three 5th batteries and features an ultra-low power design for up to 3,600 hours of battery life. The product adopts high-precision ADC and high-speed microprocessor, full digital design, high precision and good stability. The product is made of 304 stainless steel material, equipped with carrying case and power supply accessory, which is beautiful and practical.

SPECIFICATION

Range	: Micro range: 0.01...0.025...0.25bar Low range: 0.4...0.6...2.5bar Medium: 4...6...40bar High pressure: 60...100...250bar Ultra high pressure: 400...600...1600
Overload capacity	: 150% (>100 bar); 200% (≤100bar)
Backlight color	: White
Dial size	: 105mm
Accuracy	: 0.05% FS 0.1% FS
Output signal	: RS485
Long-term stability	: Typical: ±0.1% FS/year
Operating temperature	: 0...40°C
Compensation temperature	: 0...40°C
Electric protection	: Anti Electro Magnetic Interference
Sampeling frequency	: 1-10 times/second
Measurement medium	: Gas or liquid compatible with 316 stainless steel
Pressure connection	: M20 X 1.5mm, G¼", ¼" NPT (Customized)
Connection material	: 304SS
Shall	: 304SS
Function	: Power On/Off Backlight Clear Unit Switch Extreme Value Display
Power supply	: 3 AA batteries USB supply
Accessory	: Carring case / USB power cord
Product certificate	: CE Explosion Certificate (Exib IICT4)
IP rate	: IP50 (IP54 with protection sleeve)



All dimensions are in mm.

ORDERING CODES

1. DIAL SIZE

10	105mm	10
----	-------	----

2. INTALLATION MODE

E	Radial	E
Z	Axial	

3. FEATURE

X	Normal	
P	Flush Film	P
DP	Differnetial Pressure	
XF	Clamp	
DN	Flange	

4. RANGE

Xk	0-X kPa	
Xb	0-X bar	
XM	0-X MPa	1M

5. ACCURACY

1	0.1% FS	1
2	0.05% FS	

6. POWER SUPPLY

P0	Batteries	
P2	24V	P2

7. ADDITION

L	Display	L
I	Explosion-proof	

8. MEDIUM TEMPERATURE

T7	Customized	
T1	-5...40°C	T1

9. CONNECTION

M1	M20 X 1.5mm (M)	M1
M2	G $\frac{1}{4}$ " (M)	
M3	G $\frac{1}{2}$ " (M)	
M4	$\frac{1}{2}$ " NPT (M)	
M5	$\frac{1}{4}$ " NPT (M)	
M7	ZG $\frac{1}{4}$ " (M)	
M9	Customized	

10. OUTPUT SIGNAL

R	RS485	R
---	-------	---

Ordering Example : PG103-10-E-P-1M-1-P2-L-T1-M1-R