

FEATURES

- Solid bar-stock drilled design
- 3 different shank styles
- Threaded process connection

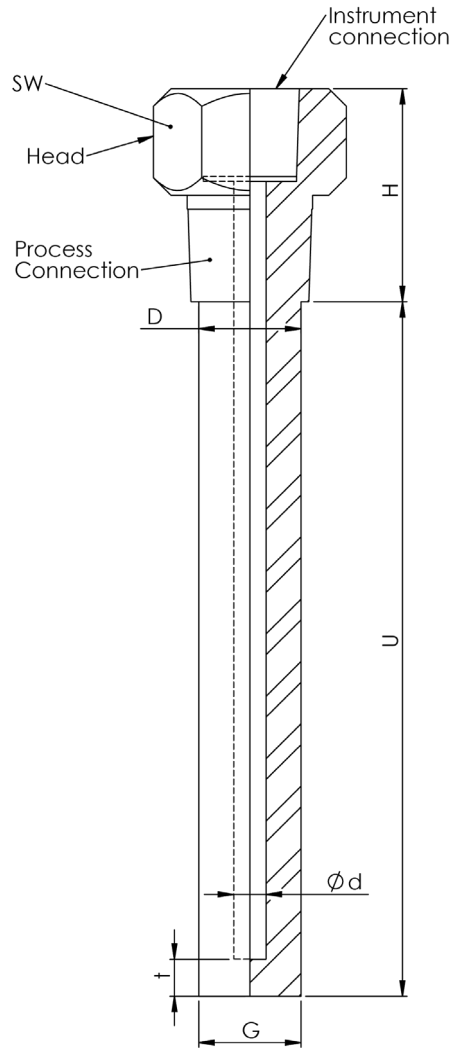
APPLICATIONS

- Air & flue gas
- Tanks & vessels
- Oil & Gas applications
- Corrosive environments
- Power & Steel industries
- HVAC, Air filters & utilities
- On-shore/Off-shore application

Straight Shank**STANDARD SPECIFICATIONS**

Shank form	: Straight
Material	: AISI 316 SS
Instrument connection	: ½" NPT (F)
Bore diameter	: 7 mm
Lag extension	: 50 mm
Root diameter	: By order
Tip diameter	: By order
Immersion length	: By order
Tip thickness	: 5 mm
Process connection	: ½" NPT (M)

DIMENSIONAL DRAWING



Process Connection	Head Design		Dimension in mm				
	Hexagon or round with hexagon (Metric)	Round with wrench flats (Metric)	instrument connection	D	G	Ød	H
1/2" NPT	HEX 27	Ø 34 mm with SW 28	• 1/2" NPT • 1/2" BSP	16	13	• 6.6 • 8.5	45
3/4" NPT	HEX 27		• 1/2" NPT • 1/2" BSP	22	16	• 6.6 • 8.5	45
"1 NPT	HEX 36		• 1/2" NPT • 1/2" BSP	27	19	• 6.6 • 8.5	45

ORDERING CODES

1. SHANK FORM

S	Straight	S
----------	----------	----------

2. MATERIAL

MB	Carbon Steel / ASTM A105	MG	AISI 316L SS	MB
MC	AISI 304SS	MV	Titanium	
MF	AISI 316 SS			
MM	Monel			
MO	Hastelloy C-276			
MR	Inconel 625			
MI	AISI 321 SS			

3. INSTRUMENT CONNECTION

05N	3/4" NPT (F)	04N	1/2" NPT (F)	05N
02B	1/4" BSP (F)	06N	1" NPT (F)	
05B	3/4" BSP (F)	04B	1/2" BSP (F)	
04M	M20 x 1.5 mm (F)	06B	1" BSP (F)	

4. PROCESS CONNECTION

14N	1/2" NPT (M)	15N	3/4" NPT (M)	14N
16N	1" NPT (M)	17N	1.5" NPT (M)	
18N	2" NPT (M)	14B	1/2" BSP (M)	
15B	3/4" BSP (M)	16B	1" BSP (M)	
17B	1.5" BSP (M)	18B	2" BSP (M)	
14M	M20 x 1.5 mm (M)			

5. HEAD SIZE

XX	Mention in 'mm'	27
-----------	-----------------	-----------

6. LAG EXTENSION ("H")

XXX	35 mm up to 250 mm	50
------------	--------------------	-----------

7. ROOT DIAMETER ("G")

XX.X	Mention in 'mm'	21
-------------	-----------------	-----------

8. TIP DIAMETER ("D")

XX.X	Mention in 'mm'	21
-------------	-----------------	-----------

9. BORE DIAMETER ("d")

UU	7 mm	VV	9.0 mm	UU
WW	9.6 mm	YY	11 mm	
ZZ	13 mm			

10. IMMERSION LENGTH ("U")

XXXX	50 mm up to 1000 mm	100
-------------	---------------------	------------

11. TIP THICKNESS ("t")

QQ	5mm	NN	6.35 mm(1/4")	QQ
OO	10mm			

12. OTHER OPTIONS

XI	Plug & chain in SS	
XL	Marking by laser	XL
TC	Material test certificate	
TH	Hydro test certificate	
TN	NACE standards	
TW	WFC as per PTC 19.3TW:2010	

Ordering Example : W71-S-MB-05N-14N-27-50-21-21-UU-100-QQ-XL

NOTES

- Other pipe/tube sizes, «U» lengths, connections are available. please contact factory for details.
- Please refer "Technical Guidance Sheet" for the proper selection of connections according to Head size and Outer diameter of the well.