

FEATURES

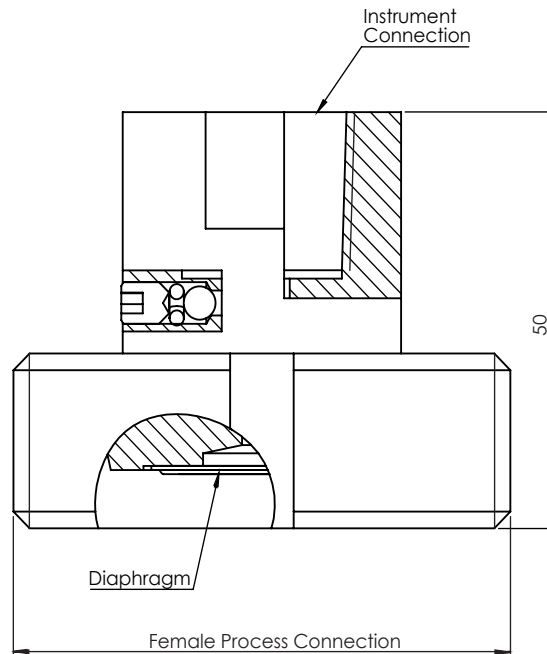
- Quick connect/disconnect
- Laser welded flush diaphragm
- DIN, SMS, RJT & IDF / ISS connections

APPLICATIONS

- Food & beverages industries
- Dairy & Ice cream industries
- Pharmaceuticals & cosmetics

Flush, Union-nut**STANDARD SPECIFICATIONS**

Range type	: 1...40 bar
Chamber material	: AISI 316 SS
Diaphragm	: AISI 316 SS
Instrument connection	: 1/2" NPT (F) / 1/2" BSP (F)
Process connection	: Union-nut (DIN 11851 / SMS / RJT/APV / IDF/ISS)
Assembly	: Direct

DIMENSIONAL DRAWING

All dimensions are in mm.

ORDERING CODES

1. RANGE TYPE

Z37	1...40 bar	Z37
Refer range vs connection size table		

2. STANDARD TYPE

T40	DIN 11851	T40
T41	SMS	
T42	RTJ / APV	
T43	IDF / ISS	

3. CHAMBER MATERIAL

MF	AISI 316 SS	MF
MG	AISI 316L SS	

4. DIAPHRAGM MATERIAL

MG	AISI 316L SS	MG
MF	AISI 316 SS	

5. INSTRUMENT CONNECTION

03B	3/8" BSP (F)	
04N	1/2" NPT (F)	04N
02B	1/4" BSP (F)	
04B	1/2" BSP (F)	
02N	1/4" NPT (F)	

7. PROCESS CONNECTION (UNION NUT)

T01	1" Connection (DN25)	
T14	1 1/4" Connection (DN32)	
T15	1 1/2" Connection (DN40)	T15
T02	2" Connection (Dn50)	
T25	2 1/2" Connection (DN63)	
T03	3" Connection (DN80)	

8. ASSEMBLY

DR	Direct	DR
RE	Remote	

9. CAPILLARY

MC	AISI 304 SS	MC
MF	AISI 316 SS	

10. ARMOUR

MC	AISI 304 SS	MC
MF	AISI 316 SS	
MP	PVC (Ambient max. 60°C)	

11. REMOTE MOUNTING LENGTH

XXXX	1000 mm up to 4000 mm	4000
------	-----------------------	------

12. OTHER OPTIONS

TC	Material test certificate	TC
TN	NACE standards	

Ordering Example : SAF-Z37-T40-MF-MG-04N-T15-DR-MC-MC-4000-TC

CONNECTION SIZE Vs RANGE CHART

DIN	Size	25	32	40	50	80
	«Diaphragm Size (OD/ED) in "mm"»		35/25	38/32	48/40	59/52
	Range (bar)	0...4 to 0...40	0...2 to 0...40	0...1 to 0...40	0...1 to 0...40	-1...0 to 0...40
SMS	Size	1"	1 1/2"	2"		
	«Diaphragm Size (OD/ED) in "mm"»		30/23	45/36	58/51	
	Range (bar)		0...4 to 0...40	0...2 to 0...40	0...1 to 0...40	

NOTE

All metal diaphragms are laser welded to the Top Chamber.