

FEATURES

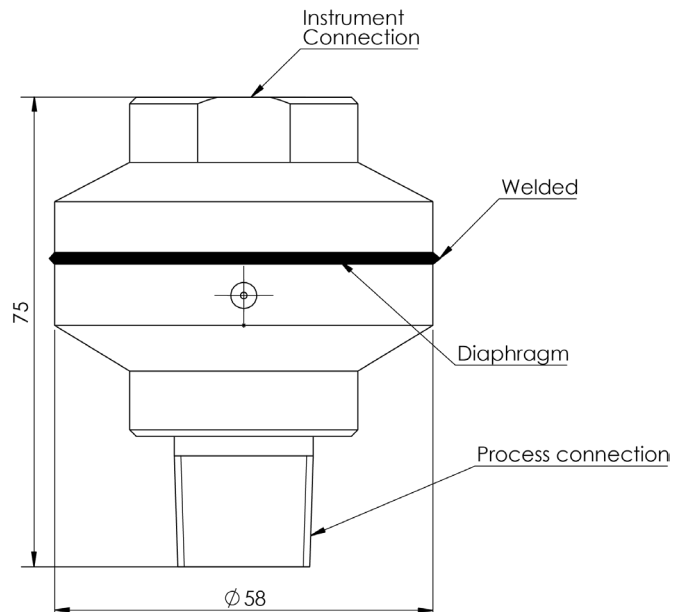
- Economical and light weight
- All welded construction
- Laser welded diaphragm

APPLICATIONS

- Separation systems
- Isolation applications
- Viscous & corrosive media
- High-pressure applications
- High vibration application

Heavy Duty Mini Seal**STANDARD SPECIFICATIONS**

Range type	: -1...600 bar
Chamber material	: AISI 316 SS
Diaphragm	: AISI 316 SS
Instrument connection	: ½" NPT (F)
Sealing fluid	: Silicon
Process connection	: ½" NPT (M)
Assembly	: Direct
Capillary	: Optional
Armour	: Optional
Remote mounting length	: Optional
Weight	: ~672 g

DIMENSIONAL DRAWING

All dimensions are in mm.

ORDERING CODES

1. RANGE TYPE

Z11	600 bar	Z11
-----	---------	-----

2. CHAMBER MATERIAL

MF	AISI 316 SS	MG	AISI 316L SS	MG
MM	Monel	MO	Hastelloy C-276	

3. DIAPHRAGM MATERIAL

MG	AISI 316L SS	MO	Hastelloy C-276	MG
MF	AISI 316 SS	MS	Silver coated	
MV	Titanium	MQ	Inconel 600	
MM	Monel			
MW	Tantalum			

4. INSTRUMENT CONNECTION

03B	3/8" BSP (F)	04N	1/2" NPT (F)	04N
02B	1/4" BSP (F)	04B	1/2" BSP (F)	
02N	1/4" NPT (F)			

5. SEALING FLUID

OA	Silicon	OA
OG	Glycerine	

6. PROCESS CONNECTION

12B	1/4" BSP (M)	13B	3/8" BSP (M)	
14B	1/2" BSP (M)	12N	1/4" NPT (M)	
14N	1/2" NPT (M)	14M	M20 x 1.5 mm (M)	14N
02N	1/4" NPT (F)	04N	1/2" NPT (F)	
02B	1/4" BSP (F)	04B	1/2" BSP (F)	
03B	3/8" BSP (F)			

7. ASSEMBLY

DR	Direct	DR
RE	Remote	

8. CAPILLARY

MC	AISI 304 SS	MF	AISI 316 SS	MF
----	-------------	----	-------------	----

9. ARMOUR

MC	AISI 304 SS	MF	AISI 316 SS	MF
MP	PVC (Ambient max. 60°C)			

10. REMOTE MOUNTING LENGTH

XXXX	1000 mm up to 4000 mm	4000
------	-----------------------	------

11. OTHER OPTIONS

TC	Material test certificate	TC
TN	NACE standards	

Ordering Example : EC-Z11-MG-MG-04N-OA-14N-DR-MF-MF-4000-TC

.....

.....

.....

.....

.....

.....

.....

.....

.....

.....

NOTES

1. Other sealing liquids are available, contact factory for further details.
2. All metal diaphragms are laser welded to the Top Chamber.