

FEATURES

- " I " section extension type
- For flanges below 1½"
- Optional exotic materials

APPLICATIONS

- Separation systems
- Isolation applications
- Viscous & corrosive media
- High-pressure applications
- High vibration application

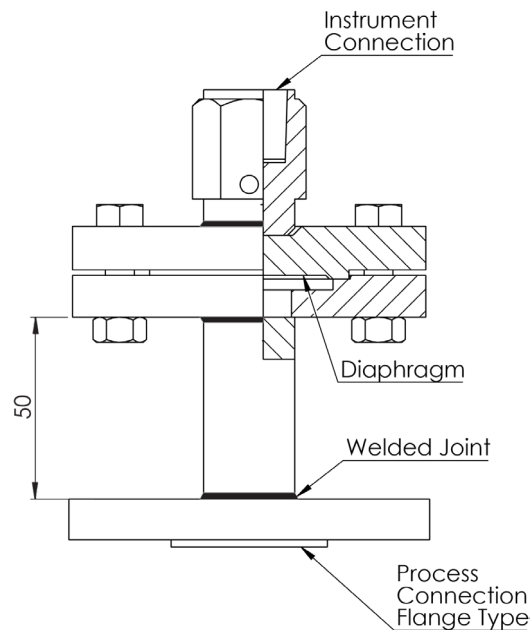
" I " section type



STANDARD SPECIFICATIONS

Range type	: -1...400 bar
Top chamber material	: AISI 316 SS
Diaphragm	: AISI 316L SS
Gaskets	: PTFE
Bottom chamber material	: AISI 316 SS
Instrument connection	: ½" NPT (F) / ½" BSP (F)
Sealing fluid	: Silicon
Process connection	: Flange as per ANSI B16.5 / EN1092-1 / JIS B 2210
Flange facing type	: Raised face
Assembly	: Direct
Weight	: ~2873 g

DIMENSIONAL DRAWING



All dimensions are in mm.

ORDERING CODES

1. RANGE TYPE

Z01	-1...400 bar	Z01
-----	--------------	-----

8. PROCESS CONNECTION

XXX	Refer Flange Table for the codes	XXX
-----	----------------------------------	-----

2. TOP CHAMBER MATERIAL

MB	ASTM A105 / Carbon steel	
MC	AISI 304SS	MC
MF	AISI 316 SS	
MG	AISI 316L SS	

9. FLANGE FACING

FF	Flat Face	
RJ	Ring-Type Joint	
RF	Raised Face	RF
TR	Tongue and Groove (T&G)	

3. DIAPHRAGM MATERIAL

MG	AISI 316L SS	MM	Monel	MG
MF	AISI 316 SS	MQ	Inconel 600	
MO	Hastelloy C-276	MW	Tantalum	
MV	Titanium	MT	Gold Coated	
MS	Silver coated			

10. COUPLING FLANGES & HARDWARES

MH	Carbon Steel with Black powder coated	MH
MC	AISI 304 SS	
MF	AISI 316 SS	

4. GASKETS

ME	PTFE	ML	Metal	ME
----	------	----	-------	----

11. PROTECTION ON WETTED PARTS

PL	PTFE lining on bottom chamber	PL
PB	PTFE protection for diaphragm	
PC	PTFE coating on diaphragm	

5. BOTTOM CHAMBER MATERIAL (I-Section)

MB	Carbon Steel / ASTM A105	MC	AISI 304 SS	
MF	AISI 316 SS	MG	AISI 316L SS	MF
MM	Monel	MO	Hastelloy C-276	
MV	Titanium	MW	Tantalum	
MP	PVC ¹	MK	PVDF ¹	
MJ	Polypropylene ¹	ME	PTFE ¹	

12. ASSEMBLY

DR	Direct	DR
RE	Remote	

13. CAPILLARY

MC	AISI 304 SS	MF	AISI 316 SS	MF
----	-------------	----	-------------	----

6. INSTRUMENT CONNECTION

03B	3/8" BSP (F)	04B	1/2" BSP (F)	
02B	1/4" BSP (F)	04N	1/2" NPT (F)	04N
02N	1/4" NPT (F)			

14. ARMOUR

MC	AISI 304SS	MF	AISI 316 SS	MF
MP	PVC (Ambient max. 60°C)			

15. REMOTE MOUNTING LENGTH

XXXX	1000 mm up to 6000 mm	6000
------	-----------------------	------

16. OTHER OPTIONS

TC	Material test certificate	TC
TN	NACE standards	

Ordering Example : USFH-Z01-MC-MG-ME-MF-04N-OA-XXX-RF-MH-PL-DR-MF-MF-6000-TC

NOTES

1. Pressure rating up to 10 bar. Consult factory for details.
2. Other sealing liquids are available, contact factory for further details.
3. Not applicable with option PA & PC.
4. All metal diaphragms are laser welded to the Top Chamber.

Flange Table

ANSI B 16.5								
Code	Size	Rating	Code	Size	Rating	Code	Size	Rating
A01	½"	150#	A02	½"	300#	A03	½"	600#
A04	½"	900#	A05	½"	1500#	A06	½"	2500#
A07	¾"	150#	A08	¾"	300#	A09	¾"	600#
A10	¾"	900#	A11	¾"	1500#	A12	¾"	2500#
A13	1"	150#	A14	1"	300#	A15	1"	600#
A16	1"	900#	A17	1"	1500#	A18	1"	2500#
A19	1¼"	150#	A20	1¼"	300#	A21	1¼"	600#
A22	1¼"	900#	A23	1¼"	1500#	A24	1¼"	2500#
A25	1½"	150#	A26	1½"	300#	A27	1½"	600#
A28	1½"	900#	A29	1½"	1500#	A30	1½"	2500#
A31	2"	150#	A32	2"	300#	A33	2"	600#
A34	2"	900#	A35	2"	1500#	A36	2"	2500#
A37	2½"	150#	A38	2½"	300#	A39	2½"	600#
A40	2½"	900#	A41	2½"	1500#	A42	2½"	2500#
A43	3"	150#	A44	3"	300#	A45	3"	600#
A46	3"	900#	A47	3"	1500#	A48	3"	2500#
A49	4"	150#	A50	4"	300#	A51	4"	600#
A52	4"	900#	A53	4"	1500#	A54	4"	2500#