

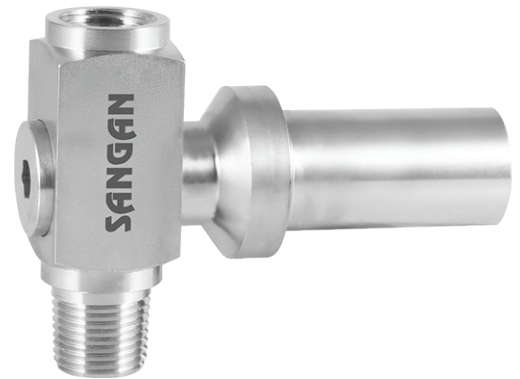
### FEATURES

- Adjustable ranges
- Bellow & Piston operated
- Over-pressure up to 600 bar

### APPLICATIONS

- Over-pressure protection for gauges, switches & transmitters

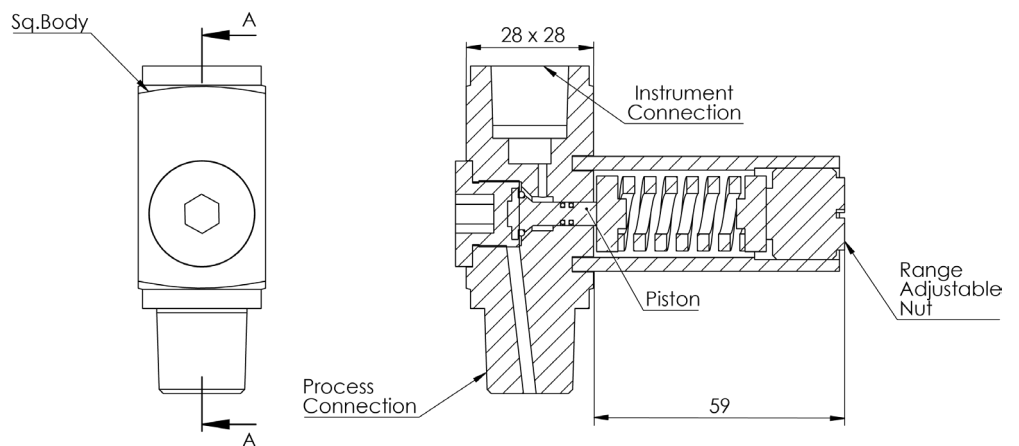
### Bellow / Piston



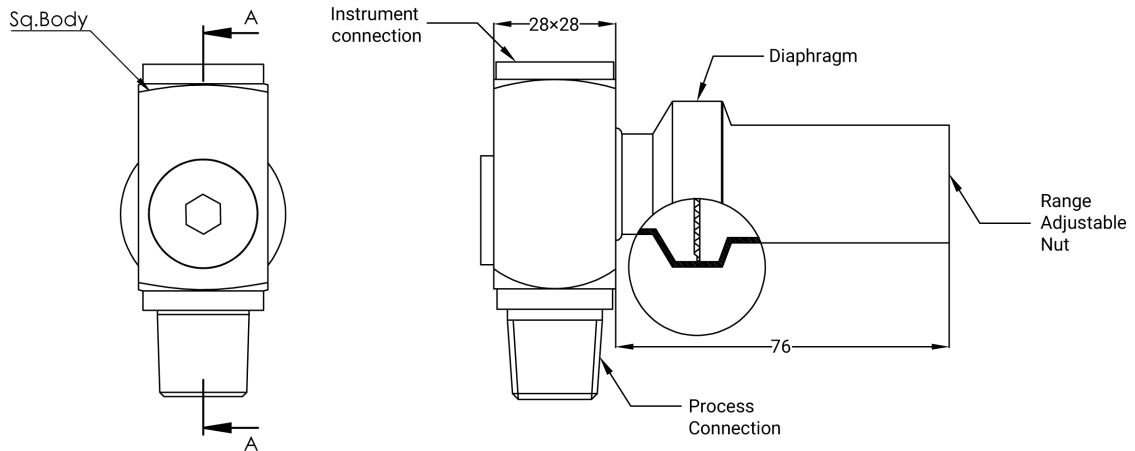
### STANDARD SPECIFICATIONS

Type	: Bellow / Piston
Material	: AISI 316 SS
Instrument connection	: 1/2" NPT (F)
Process connection	: 1/2" NPT (M)
Gaskets / Seals	: Viton
Maximum working pressure	: 600 bar
Maximum working temperature	: 180°C
Weight	: ~606 g

### DIMENSIONAL DRAWING



All dimensions are in mm.



### ORDERING CODES

#### 1. TYPE

P01	Pattern 1 (200...400 mbar)	
P02	Pattern 2 (400...600 mbar)	
P03	Pattern 3 (0.6...4 bar)	P03
P04	Pattern 4 (6...16 bar)	
P05	Pattern 5 (10...40 bar)	
P06	Pattern 6 (30...80 bar)	
P07	Pattern 7 (50...160 bar)	
P08	Pattern 8 (100...400 bar)	

#### 2. MATERIAL

MF	AISI 316 SS	MF
MG	AISI 316L SS	
MC	AISI 304 SS	
MM	Monel	
MO	Hastelloy C-276 <sup>5</sup>	

#### 3. INSTRUMENT CONNECTION

02B	1/4" BSP (F)	
03B	3/8" BSP (F)	
04B	1/2" BSP (F)	
02N	1/4" NPT (F)	
03N	3/8" NPT (F)	
04N	1/2" NPT (F)	04N
04M	M20x1.5 mm (F)	

#### 4. PROCESS CONNECTION

12B	1/4" BSP (M)	
13B	3/8" BSP (M)	
14B	1/2" BSP (M)	
12N	1/4" NPT (M)	
13N	3/8" NPT (M)	
14N	1/2" NPT (M)	14N
14M	M20x1.5 mm (M)	

#### 5. OTHER OPTIONS

TC	Material test certificate	
TN	NACE standards	
TO	Use for Oxygen service	
XL	Marking by laser	XL

### Ordering Example : AC49-P03-MF-04N-14N-XL

#### NOTES

1. Other process connections are available through adaptors.
2. Available in piston type, contact factory for further details.
3. As standard set point should be mentioned while ordering or the factory set point shall be %110 of order range.
4. Set point error shall be %10± of set point value in general.
5. Applicable for wetted parts only. Non-wetted parts shall be Stainless Steel.