

**FEATURES**

- All SS measuring system
- Socket-case, direct welded

**APPLICATIONS**

- Liquid & gaseous mediums
- Corrosive environments
- Oil & Gas applications
- Chemical & Petrochemical
- Food & Beverages
- Nuclear power plants

**Diaphragm****STANDARD PARAMETERS**

Accuracy	: CL 1.6
Ambient temperature	: -40...+65°C
Medium temperature	: 150°C max
Pressure limits	: Steady pressure up to FS value Fluctuating pressure up to %90 of FS value
Standard	: EN837-3

**MATERIAL OF CONSTRUCTION**

Sensing element	: Diaphragm
Case & Ring material	: AISI 304 SS (Bayonet type)
Diaphragm	: AISI 316 SS
Socket	: AISI 316 SS (Welded directly to case)
Movement mechanism	: Stainless steel
Dial	: Aluminum, black graduation on white background
Pointer	: Micro-adjustable, aluminum, black powder coated
Gaskets, Blow off disc & filling plug	: NBR
Window	: Safety glass

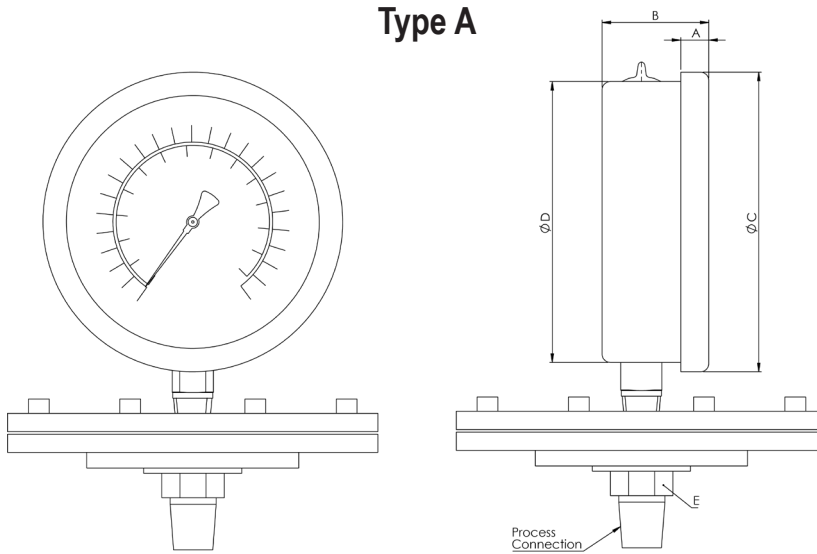
**STANDARD SPECIFICATIONS**

Dial size	: 100mm (4") / 160mm (6")
Range	: 16...600 mbar -1...0...25 bar
Mounting pattern	: Direct, Bottom connection
Process connection	: ½" NPT (M)
Ingress protection	: IP 65
Execution	: Dry

**TEMPERATURE EFFECT**

When temperature of the measuring system deviates from reference temperature (+20°C) max error  $\pm 0.4\%$  / 10K of true scale value. (According to EN837)

Type A



DN	A	B	C	D	E	Weight
100	17	50	101	99	SW27	~3475 g
160	17	50	160	158	SW27	~4227 g

### ORDERING CODES

#### 1. DIAL SIZE

05	100 mm / 4"	05
07	160 mm / 6"	

#### 2. RANGE

XXX	Refer "Range Table"	XXX
-----	---------------------	-----

#### 3. MOUNTING PATTERN

A	Direct, Bottom connection	A
G	2" Pipe/Yoke mounting, Bottom connection	

#### 4. PROCESS CONNECTION

13B	3/8" BSP (M)	
14B	1/2" BSP (M)	
14M	M20 X 1.5 mm (M)	
14N	1/2" NPT (M)	14N
A31	2" RF 150# as per ANSI B 16.5	
A43	3" RF 150# as per ANSI B 16.5	
A49	4" RF 150# as per ANSI B 16.5	
A32	2" RF 300# as per ANSI B 16.5	
A44	3" RF 300# as per ANSI B 16.5	
A50	4" RF 300# as per ANSI B 16.5	

#### 5. INGRESS PROTECTION

ER	IP 65	ER
----	-------	----

#### 6. EXECUTION

EA	Dry	EA
EG	Glycerine oil	
EH	Silicon oil	

#### 7. OTHER OPTIONS

BA	Case & Ring in AISI 316 SS	BA
EN	Dampening screw, AISI 316 SS	
GL	AISI 316 SS movement	
TA	Calibration certificate	
TC	Material test certificate	
TO	Use for Oxygen service	
XF	SS tag plate, AISI 304 SS	
XG	SS tag plate, AISI 316 SS	
XR	Custom designed dial	
XT	Dial tag marking	
TN	NACE standards	
SF	Solid front	

Ordering Example : PG12-05-XXX-A-14N-ER-EA-BA

#### NOTE

For other connections, please contact factory.

### STANDARD RANGES

RANGE	"bar"	"kg/cm <sup>2</sup> "	"bar / psi"	RANGE	"psi"	RANGE	"kPa"	RANGE	"MPa"
0...0.6	B01	K01	N01	0...10	S01	0...60	E01	-	-
0...1	B02	K02	N02	0...15	S02	0...100	E02	0...0.1	M02
0...1.6	B03	K03	N03	0...25	S03	0...160	E03	0...0.16	M03
0...2.5	B05	K05	N05	0...35	S05	0...250	E05	0...0.25	M05
0...4	B06	K06	N06	0...60	S06	0...400	E06	0...0.4	M06
0...6	B07	K07	N07	0...100	S07	0...600	E07	0...0.6	M07
0...10	B09	K09	N09	0...150	S09	0...1000	E09	0...1	M09
0...16	B11	K11	N11	0...235	S11	0...1600	E11	0...1.6	M11
0...25	B13	K13	N13	0...365	S13	0...2500	E13	0...2.5	M13
-1...0	B37	K37	N37	-	-	-100...0	E37	0.1...0	M37
-1...0.6	B38	K38	N38	-	-	-100...60	E38	-0.1...0.06	M38
-1...1.5	B39	K39	N39	-	-	-100...150	E39	-0.1...0.15	M39
-1...3	B42	K42	N42	-	-	-100...300	E42	-0.1...0.3	M42
-1...5	B43	K43	N43	-	-	-100...500	E43	-0.1...0.5	M43
-1...9	B45	K45	N45	-	-	-100...900	E45	-0.1...0.9	M45
-1...15	B47	K47	N47	-	-	-100...1500	E47	-0.1...1.5	M47
-1...24	B49	K49	N49	-	-	-100...2400	E49	-0.1...2.4	M49

RANGE	"mbar"	RANGE	"kg/cm <sup>2</sup> "	RANGE	"psi"	RANGE	"mmH <sub>2</sub> O"
0...10	F01	0...0.01	K61	0...0.15	S51	0...100	H01
0...16	F03	0...0.016	K62	0...0.25	S52	0...160	H02
0...25	F05	0...0.025	K63	0...0.36	S53	0...250	H03
0...45	F07	0...0.045	K64	0...0.65	S54	0...450	H04
0...60	F09	0...0.06	K65	0...1.0	S55	0...600	H05
0...100	F11	0...0.1	K66	0...1.5	S56	0...1000	H06
0...160	F13	0...0.16	K67	0...2.5	S57	0...1600	H07
0...250	F15	0...0.25	K68	0...3.6	S58	0...2500	H08
0...400	F17	0...0.4	K69	0...6.0	S59	0...4000	H09
0...600	F19	0...0.6	K01	0...10	S01	0...6000	H10

### NOTES

- Other scales & measurement units are available.
- Equivalent scales available in kg/cm<sup>2</sup>, psi, kPa, MPa, bar/psi, kPa/bar, kPa/psi or any other special scales.
- Primary scales shall be in "BLACK" and secondary scales shall be "RED".
- Special scales, custom dial design, OEM/private logo printing is available, details contact our marketing team.