

SANGAN OEM model PG 1-00 series are available as 40/50/63/80 mm dia. These gauges are used for gaseous and non-aggressive liquid media, applications include filter regulators, water pumps, beverage dispensing, agricultural equipment, compressors etc.



PG 1-00

OEM pressure gauge

mounting variations

- type A bottom connection, direct mounting
- type B panel mounting, clamp fixing, back connection
- type C surface mounting, bottom connection
- type D back connection, direct mounting
- type E panel mounting, back connection
- type F panel mounting, bottom connection

technical specification model PG 1-00

diameter 40/50/63/80 mm	connection 1/4" BSP/NPT	window plastic push-in	ranges from -1/600 bar
casing steel black painted	tube copper alloy	movement brass	dial aluminium
bezel none	socket brass	pointer fixed	accuracy 1.6% FSD

Note: 40 mm standard connection is 1/8" BSP/NPT
80 mm with slip-on bezel with two fixing screws and glass window

options and special executions at extra cost

dials	customized – i.e., non standard ranges or logos
certificates	calibration -; conformity -; material
manuals	installation and maintenance
connection	METRIC; BSPT; acc JIS, in various sizes
restrictor	brass
connection position	top or side
soldering	silver soldered for steam applications
receiver gauge	3-15 psi; 0.2-1 bar; 0-100% lin; 0-10 sq.rt.
red pointer	on dial (not 40 mm)
special versions (only 40/53/63 mm)	plastic case, type PG 1-01 brass polished case, type PG 1-05 st.st. case, type PG 1-08 black painted case and push on bezel, glass window PG 1-21 chromed case and push on bezel, glass window PG 1-22 brass polished case and push on bezel, glass window PG 1-25 st.st. case and push on bezel, glass window PG 1-28 black painted case with st.st. crimped bezel, plastic window PG 1-31 st.st. case and crimped bezel, plastic window PG 1-38

PG 1-00 - technical data sheet

pressure details

working pressure

Steady	$\frac{3}{4}$ x full scale value
Fluctuating	$\frac{2}{3}$ x full scale value
Short time	see over-pressure table

pressure element

	<100 bar	100 bar
PG 1-00	Copper alloy	Copper alloy

over-pressure

max. scale in bar		over-pressure at 20 °C
-1	to 100	1,25 x full scale value
101	to 600	1,15 x full scale value

Note : only withstand for a short period of time

temperature details

temperature limitations

	ambient	process
standard	-40 °C to 60 °C	65 °C
for hard soldering*	-40 °C to 60 °C	200 °C

Note : * = only PG 1-21, PG 1-22, PG 1-25 and PG 1-28

The variation of indication caused by the effects of temperature shall not exceed :

$\pm 0,04 \times (\text{ambient temperature} - \text{reference temperature})\%$
of the span

design information

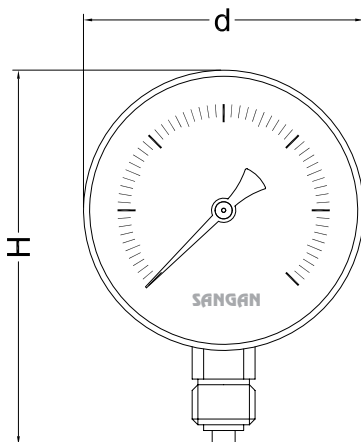
ingress protection

IP 54 per EN 60 529 / IEC 529

design

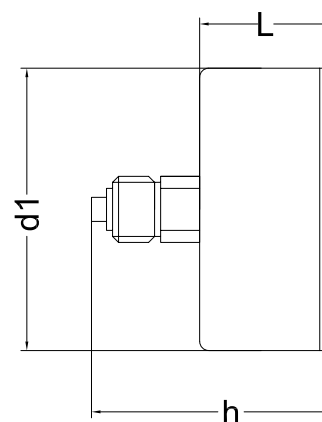
EN 837-1

drawings



type A push-in window

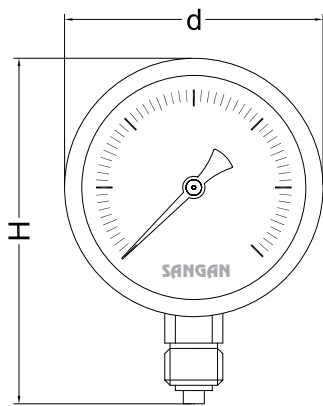
PG 1-00, PG 1-01, PG 1-05 and PG 1-08



type D push-in window

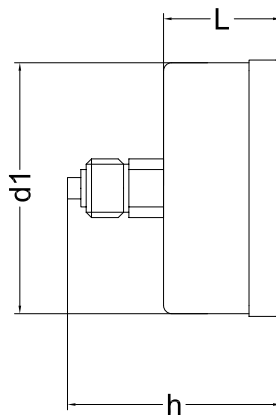
PG 1-00, PG 1-01, PG 1-05 and PG 1-08

PG 1-00 - technical data sheet



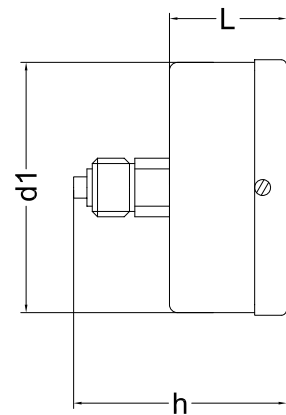
type A push-on bezel

PG 1-21, PG 1-22, PG 1-25 and PG 1-28



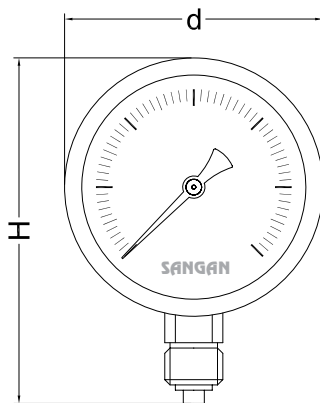
type D push-on bezel

PG 1-21, PG 1-22, PG 1-25 and PG 1-28



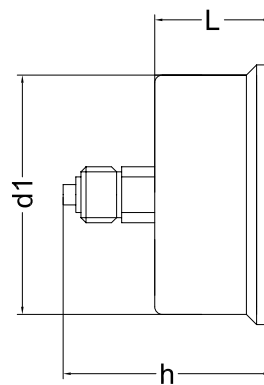
type D slip-on bezel with 2 fixing screws

PG 1-21 Ø 80 mm



type A crimped bezel

PG 1-31 and PG 1-38



type D crimped bezel

PG 1-31 and PG 1-38

Note : * = push-in window, plastic case

** = push-in window

*** = push-on bezel

**** = crimped bezel

dimensions

ns	d	d1	L	H	h	weight
40*	42	40	25	58	41	0,06 kg
40**	40	40	25	58	41	0,06 kg
40***	41	40	25	58	41	0,06 kg
40****	44	40	27	58	41	0,06 kg
50**	50,5	50,5	28	70	49	0,10 kg
50***	52	50,5	28	70	49	0,10 kg
50****	55	50,5	30	70	56	0,10 kg
63**	63	62	28	87	51	0,14 kg
63***	64	62	30	85	51	0,14 kg
63****	67	63	30	87	52	0,14 kg
80	80	79	31	114	65	0,30 kg

Note : dimensions are in mm